

# Zehnder ComfoTube 90 mm

**Semi-rigid ductwork**

Product data sheet

**always the best climate**



# ComfoTube 90 mm

The Zehnder ComfoTube 90 mm is a high performance semi-rigid ductwork ideal for residential applications. The low profile manifolds and ductwork mean it's perfect for use in small ceiling voids and is strong enough to even be set into the building concrete structure. The clinside smooth internal lining help to reduce build up of dust and enable the ductwork to be cleaned, this has helped the ductwork achieve a hygiene certificate from the Hygiene Institute. The ductwork was also one of the first to be fully accredited and listed on the PCDB.

The ductwork can be installed much faster than conventional ductwork with a reduced number of connections helping to reduce any potential air leakage within the system. The O-rings and locking slides also help to prevent the ductwork being disconnected during first fix and maintain an airtight seal. End caps are also provided to prevent dust ingress during first fix to maintain a hygienic system.

A variety of manifolds, ancillaries and terminations can be used with the ductwork in addition to a wide range of decorative grilles. The ductwork can also be used with the unique modular ComfoWell manifolds with integrated attenuators and filters.



## Key Features

- Easy and quick to install
- Airtight
- High-quality food-grade plastic (PE)
- Meets the minimum standard for PCDB accreditation
- Low pressure losses
- Easy to clean
- Suitable for installation in the building concrete structure
- Crush resistant a ring stiffness of ~10 kN/m<sup>2</sup>
- Corrosion resistant
- Lightweight and easy to handle
- No sealant or tape required
- Wide range of manifolds and grille terminations
- Suitable for use with the unique modular ComfoWell manifolds

## Article Numbers

Description	Product Code
<b>Ductwork</b>	
<a href="#">Zehnder ComfoTube ø 90 mm, 50 m roll</a>	990 328 009
<a href="#">Zehnder ComfoTube ø 90 mm, 20 m roll</a>	990 328 010
<b>Manifold - See our <a href="#">ComfoWell datasheet</a> for further manifold options</b>	
<a href="#">Zehnder ComfoTube distribution box 220, 1 x ø 125 mm connection, 6 x ø 90 mm ports with 4 x ø 110 mm end caps</a>	990 323 070
<a href="#">Zehnder ComfoTube distribution box 350, 1 x ø 160 mm connection, 9 x ø 90 mm ports with 6 x ø 110 mm end caps</a>	990 323 071
<b>CLD Grille housing</b>	
<a href="#">Grille housing CLD-P 90 frontal sleeve, height 115 mm, connects 1 x ø 90 mm Zehnder ComfoTube</a>	990 320 845
<a href="#">Grille housing CLD-P 90 lateral sleeve, height 115 mm, connects 1 x ø 90 mm Zehnder ComfoTube</a>	990 320 846
<a href="#">Grille housing CLD-P 90 lateral sleeve, height 140 mm, connects 1 x ø 90 mm Zehnder ComfoTube</a>	990 320 852

## Article Numbers

Description	Product Code
<b>TVA Grille housing</b>	
<a href="#">Grille housing TVA-P 90 connects 1 x ø 125 mm valve to 2 x ø 90 mm Zehnder ComfoTube, L300 mm</a>	990 320 725
<a href="#">Grille housing TVA-P 90 connects 1 x ø 125 mm valve to 1 x ø 90 mm Zehnder ComfoTube, L64 mm</a>	990 326 122
<a href="#">Grille housing TVA-P 90 connects 1 x ø 125 mm valve to 1 x ø 90 mm Zehnder ComfoTube, L300 mm</a>	990 326 126
<a href="#">Grille housing TVA-P 90 connects 1 x ø 125mm valve to 1 x ø 90mm Zehnder ComfoTube, straight adaptor, L160mm</a>	990 326 136
<a href="#">Grille housing TVA-P 90, connects 1 x ø 100mm valve to 1 x ø 90mm Zehnder ComfoTube, L64mm</a>	990 326 140
<b>CSB-P Grille housing</b>	
<a href="#">Rectangular grille housing CSB-P 400 connects 1 x Lamina/Bilamina/ComfoGrid 400 to 1 x ø 90 mm, 2 x ø 75 mm Zehnder ComfoTube</a>	990 321 745
<a href="#">Rectangular grille housing CSB-P 600 connects 1 x Lamina/Bilamina/ComfoGrid 600 to 1 x ø 110 mm, 2 x ø 90 mm Zehnder ComfoTube</a>	990 321 746
<b>Renoventil Grille housing</b>	
<a href="#">Renoventil housing, for ø 90 mm, length 400 mm</a>	990 320 062
<b>Ancillaries</b>	
<a href="#">Zehnder ComfoTube ø 90 mm, adjustable airflow regulator, 30 mm length</a>	988 320 031
<a href="#">Zehnder ComfoTube ø 90 mm, adjustable airflow regulator, 75 mm length</a>	990 320 027
<a href="#">Filter for ø 100 mm extract air valve, ISO Coarse (G3), 10 Pieces</a>	990 320 031
<a href="#">Filter for ø 125 mm extract air valve, ISO Coarse (G3), 10 Pieces</a>	990 320 032
<a href="#">Filter for CLD housing, ISO Coarse (G3), 10 Pieces</a>	990 320 573
<a href="#">Filter for rectangular grille housing CSB-P 400, ISO Coarse (G3), 10 Pieces</a>	990 321 768
<a href="#">Filter for rectangular grille housing CSB-P 600, ISO Coarse (G3), 10 Pieces</a>	990 321 769
<a href="#">Zehnder ComfoTube Flat 51 to Zehnder ComfoTube ø 75/90 mm convertor</a>	990 322 013
<a href="#">Zehnder ComfoTube Flat 51 to Zehnder ComfoTube ø 90 mm, 90° convertor</a>	990 322 046
<a href="#">Zehnder ComfoTube ø 90 mm, manifold/grille housing spigot reducer, ø 90 mm to ø 75 mm</a>	990 322 010
<a href="#">Zehnder ComfoTube ø 90 mm, 90° bend</a>	990 322 153
<a href="#">Zehnder ComfoTube ø 75/90 mm cross-piece</a>	990 322 155
<a href="#">Zehnder ComfoTube ø 90 mm, locking slides, 10 pieces</a>	990 326 025
<a href="#">Grille housing TVA-P 75/90 mounting set for concrete application</a>	990 326 127
<a href="#">90° metal bracket for max 2 Zehnder ComfoTube</a>	990 327 109
<a href="#">Fixing bracket for CSB-P 400/600 grille housing, 2 pieces</a>	988 321 646
<a href="#">Zehnder ComfoFix link for ComfoTube ø 90 mm, 10 pieces</a>	990 327 201
<a href="#">Zehnder ComfoTube ø 90 mm, pipe connector</a>	990 328 109
<a href="#">Zehnder ComfoTube ø 90 mm, end caps, 10 pieces</a>	990 328 263
<a href="#">Zehnder ComfoTube ø 110 mm, end caps, 2 pieces</a>	990 328 264
<a href="#">Zehnder ComfoTube ø 90 mm, O-ring seal, 10 pieces</a>	990 328 363
<a href="#">ComfoTool cutter for ø 75/90mm Zehnder ComfoTube</a>	990 000 110

## Zehnder ComfoTube $\varnothing$ 90 mm, 20/50 m roll

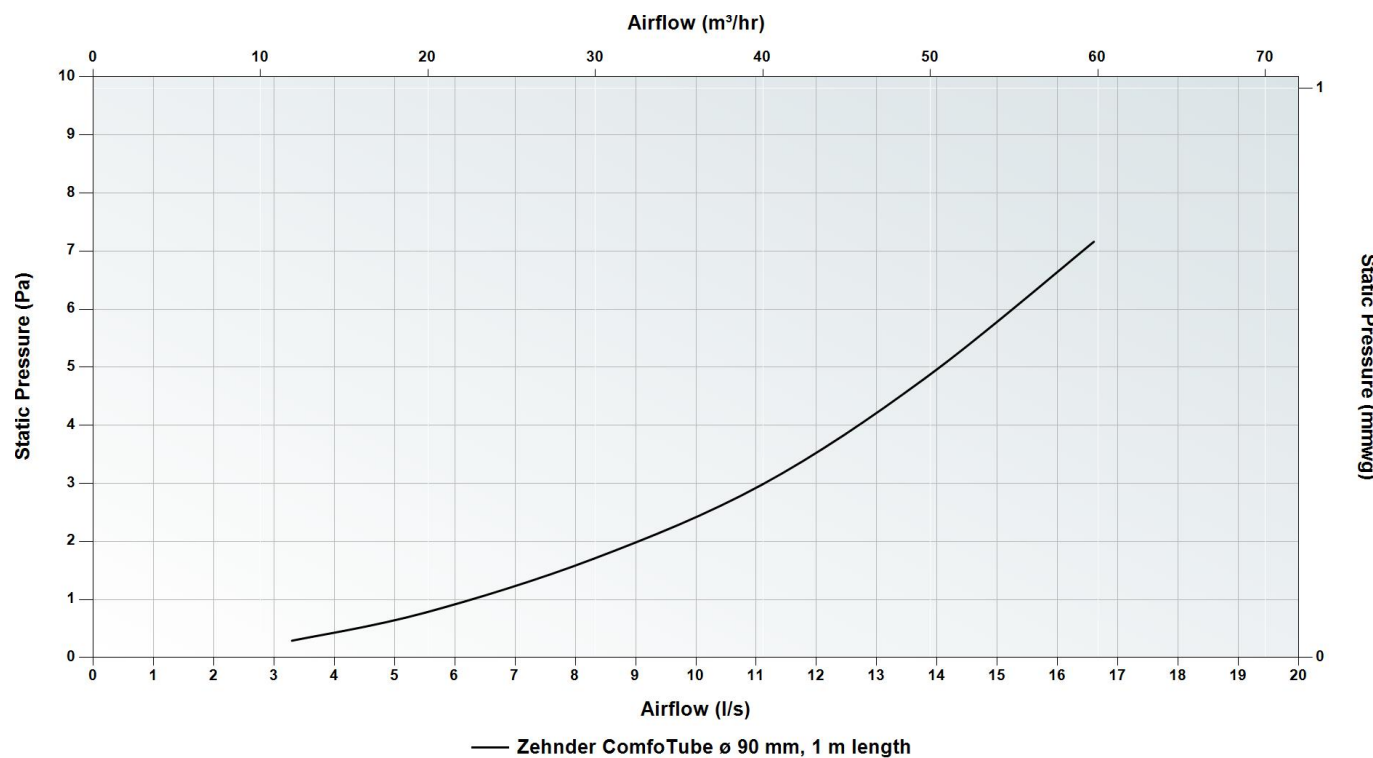
Article number: 990 328 010 / 990 328 009



### Technical Specification

Material	High-quality food-grade plastic polyethylene (PE)
Operating temperature range	-25 to +40°C
Maximum recommended air volume per tube	13.8 l/s (50 m <sup>3</sup> /h)
Minimum bending radius	90 mm
Minimum radius < 2 x diameter	Yes
Buoyancy in concrete	130 N/m
Outside diameter	90 mm
Inside diameter	74 mm
Weight per m	0.43 kg/m
Fire rating in accordance with EN 13501-1	E
Ring stiffness	~10 kN/m <sup>2</sup>
BS EN ISO 9969:2016 crushability compliant	Yes
Coil diameter (50 m roll)	1180 mm
Coil height (50 m roll)	470 mm

### Pressure Curve



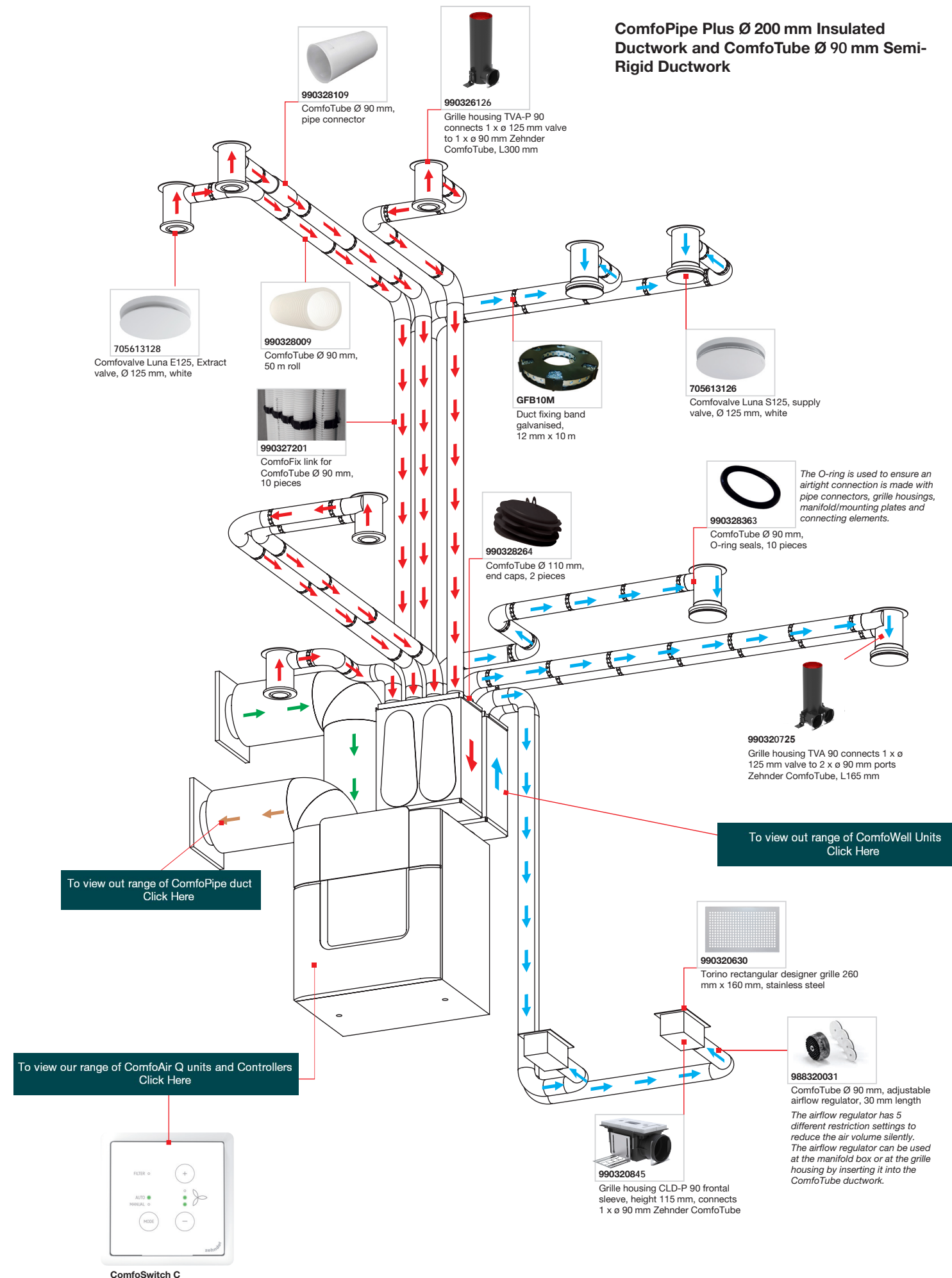
### Sound Data

	Octave Band (Hz) Insertion Loss, dB					
	125	250	500	1000	2000	4000
Zehnder ComfoTube $\varnothing$ 90 mm, 1 m length	0.4	0.5	0.3	0.3	0.4	0.7

Acoustic performance measured according to EN ISO 7235 (pink noise)

■ For use with Zehnder ComfoWell, Manifolds and Grille housings

### 3D System Layout



### Zehnder ComfoTube distribution box 220, 1 x $\varnothing$ 125 mm connection, 6 x $\varnothing$ 90 mm ports with 4 x $\varnothing$ 110 mm end caps

Article number: 990 323 070

#### Description

##### Manifold:

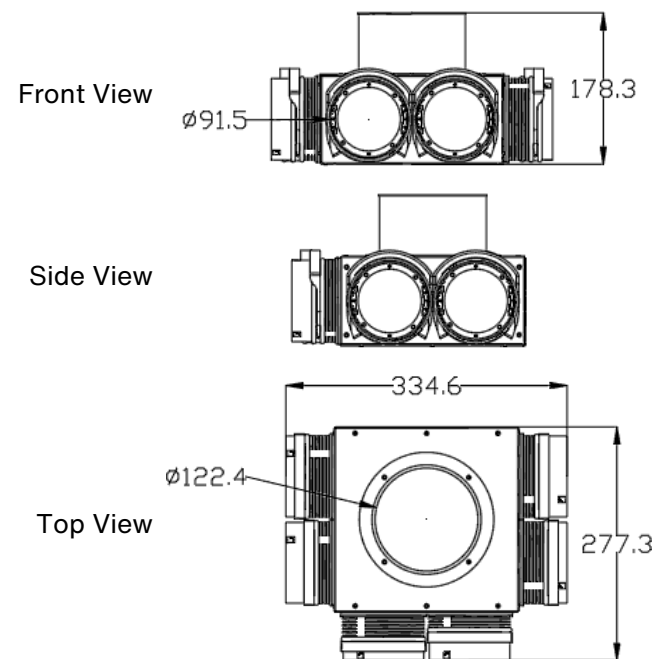
Zehnder ComfoTube distribution box. Low profile compact design. Suitable for use with the Zehnder ComfoTube  $\varnothing$  90 mm semi-rigid ductwork and comes complete with end caps and RapidLock® connections to quickly form an air tight and robust seal by simply push-fitting the semi-rigid ductwork. Suitable for installation in the building concrete structure

#### Technical Specification

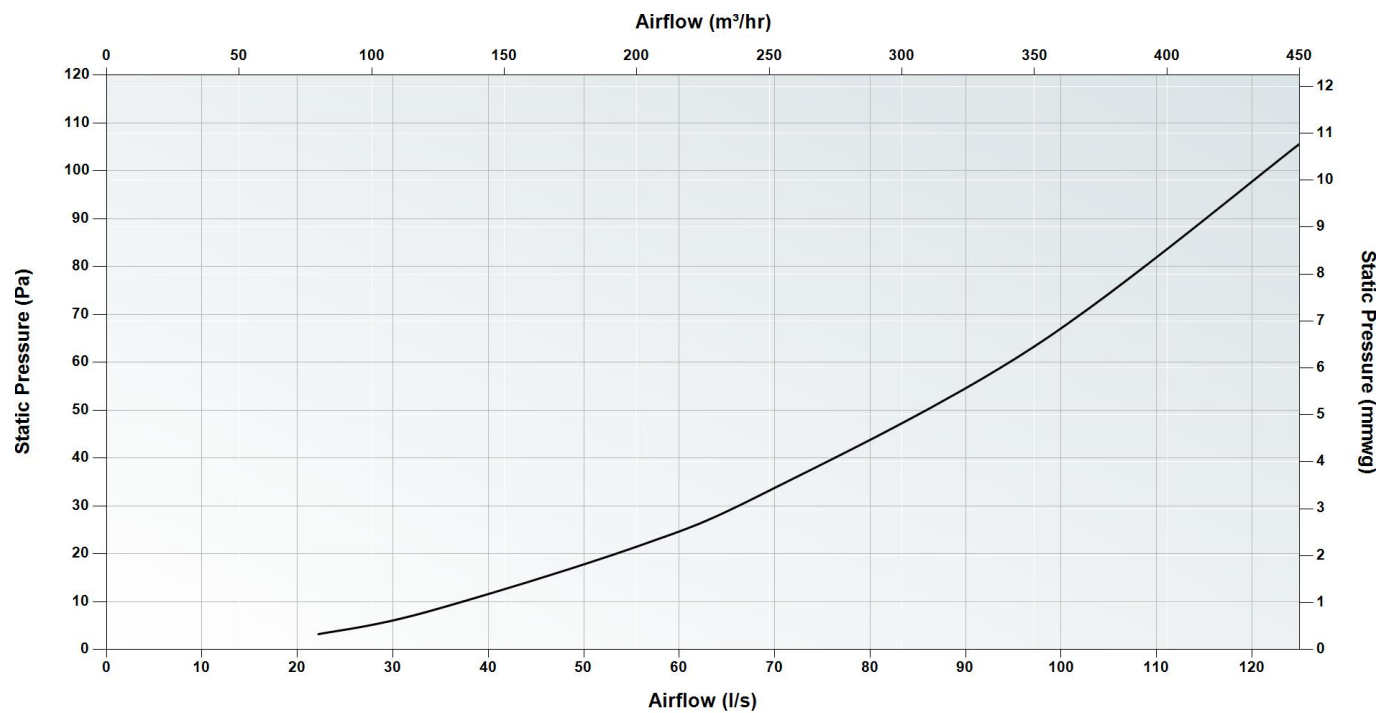
Height	178.3 mm
Width	334.6 mm
Depth	277.3 mm
Weight	2 kg
Material	White painted steel



#### Dimensions



#### Pressure Curve



— Zehnder ComfoTube distribution box 220, 1 x  $\varnothing$  125 mm connection, 6 x  $\varnothing$  90 mm ports with 4 x  $\varnothing$  110 mm end caps

■ For use with Zehnder ComfoTube  $\varnothing$  90 mm semi-rigid ductwork

### Zehnder ComfoTube distribution box 350, 1 x $\varnothing$ 160 mm connection, 9 x $\varnothing$ 90 mm ports with 6 x $\varnothing$ 110 mm end caps

Article number: 990 323 071

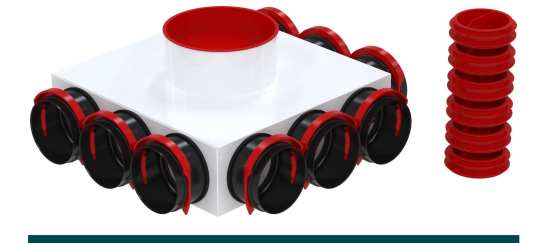
#### Description

##### Manifold:

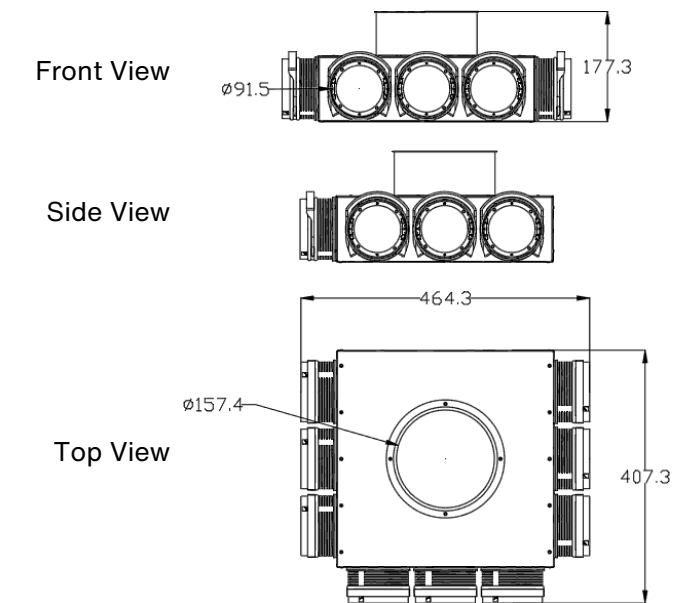
Zehnder ComfoTube distribution box. Low profile compact design. Suitable for use with the Zehnder ComfoTube  $\varnothing$  90 mm semi-rigid ductwork and comes complete with end caps and RapidLock® connections to quickly form an air tight and robust seal by simply push-fitting the semi-rigid ductwork. Suitable for installation in the building concrete structure

#### Technical Specification

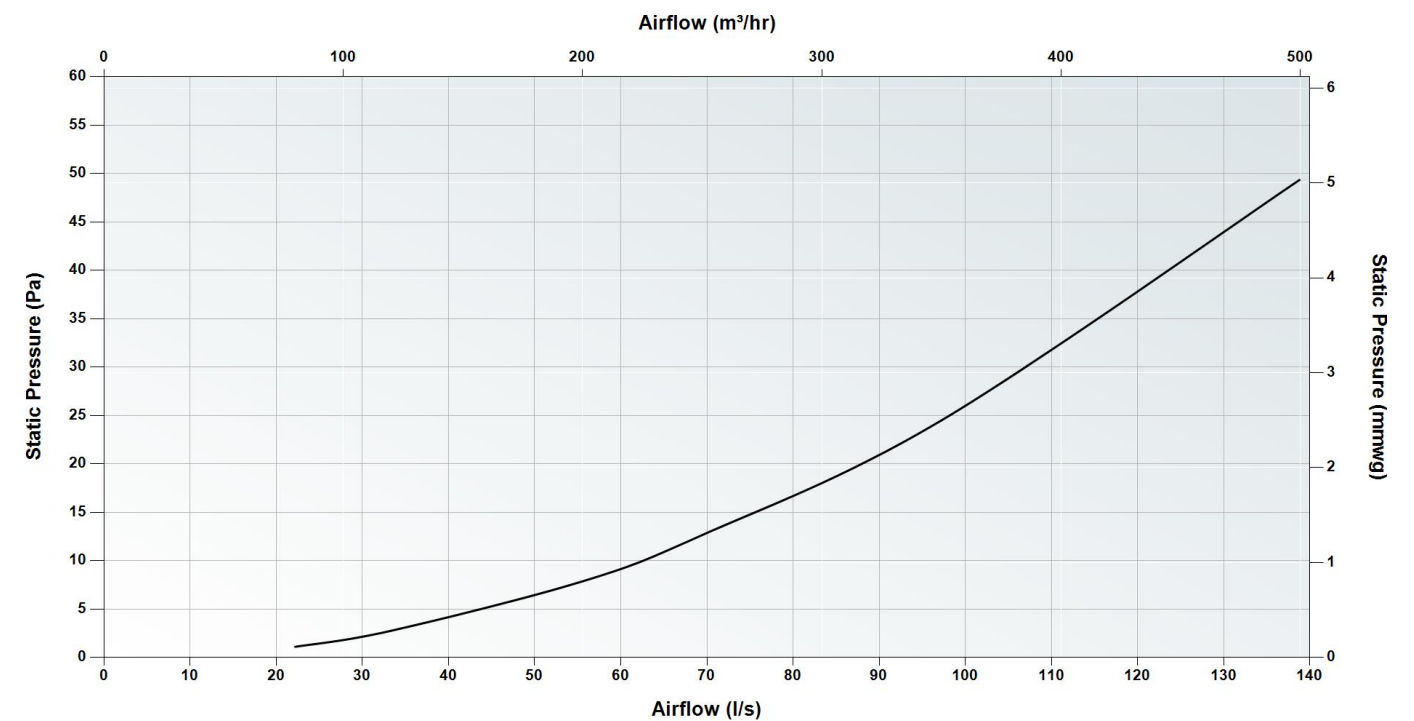
Height	177.3 mm
Width	464.3 mm
Depth	407.3 mm
Weight	3.83 kg
Material	White painted steel



#### Dimensions



#### Pressure Curve



— Zehnder ComfoTube distribution box 350, 1 x  $\varnothing$  160 mm connection, 9 x  $\varnothing$  90 mm ports with 6 x  $\varnothing$  110 mm end caps

■ For use with Zehnder ComfoTube  $\varnothing$  90 mm semi-rigid ductwork



### Grille housing CLD-P 90 frontal sleeve, height 115 mm, connects 1 x $\varnothing$ 90 mm Zehnder ComfoTube

Article number: 990 320 845

#### Description

##### CLD Grille housing:

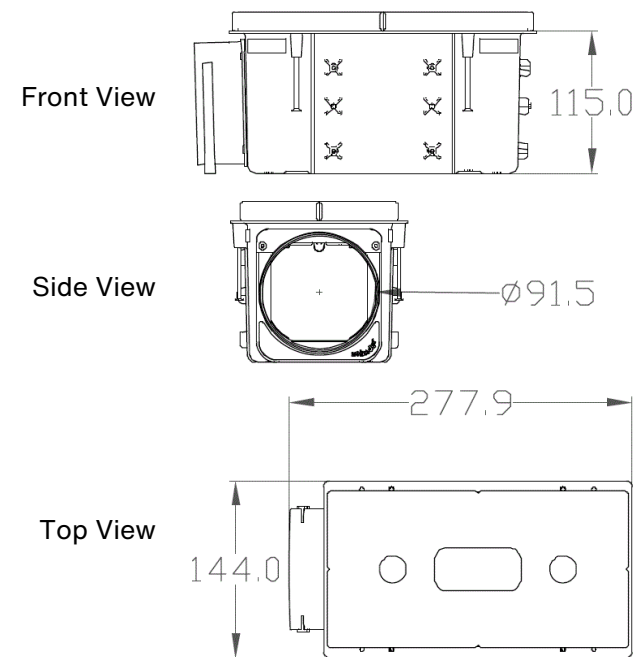
Rectangular frontal and lateral sleeve entry grille housings. The cleanable rectangular CLD grille housing is suitable for installation in all types of wall/floor/ceiling depending on the CLD height and comes complete with locking slides. The rectangular decorative grilles (300 x 200 mm and 260 x 160 mm) can be surface or flush-mounted dependent on preference. A Zehnder ComfoFresh filter can be used to remove particulates.

#### Technical Specification

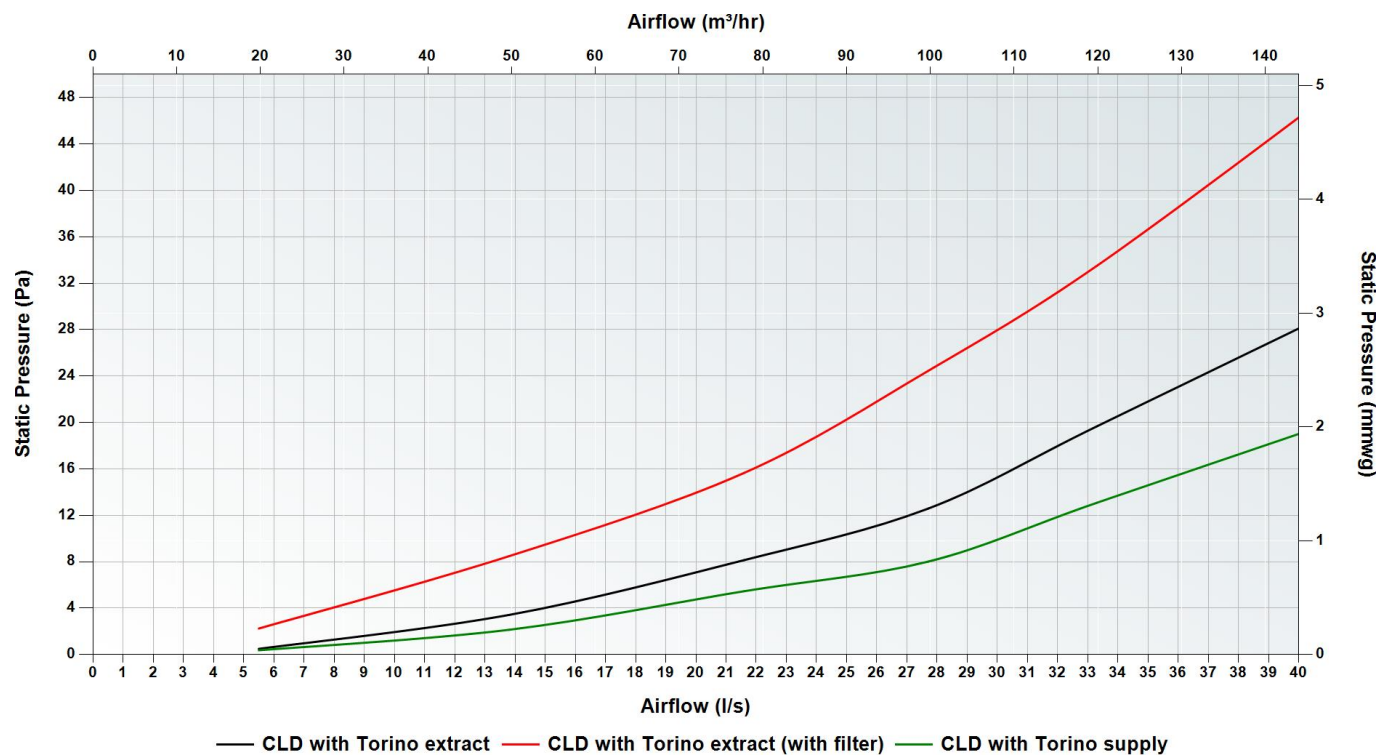
Height	115 mm
Width	277.9 mm
Depth	144 mm
Weight	<0.8 kg
Material	High-density polyethylene (HDPE)



#### Dimensions



#### Pressure Curve



■ For use with CLD decorative grilles

### Grille housing CLD-P 90 lateral sleeve, height 115 mm, connects 1 x $\varnothing$ 90 mm Zehnder ComfoTube

Article number: 990 320 846

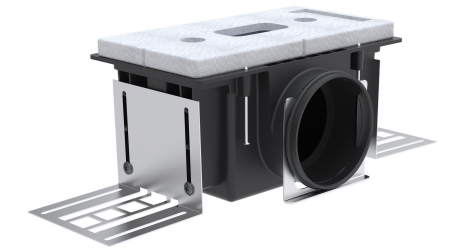
#### Description

##### CLD Grille housing:

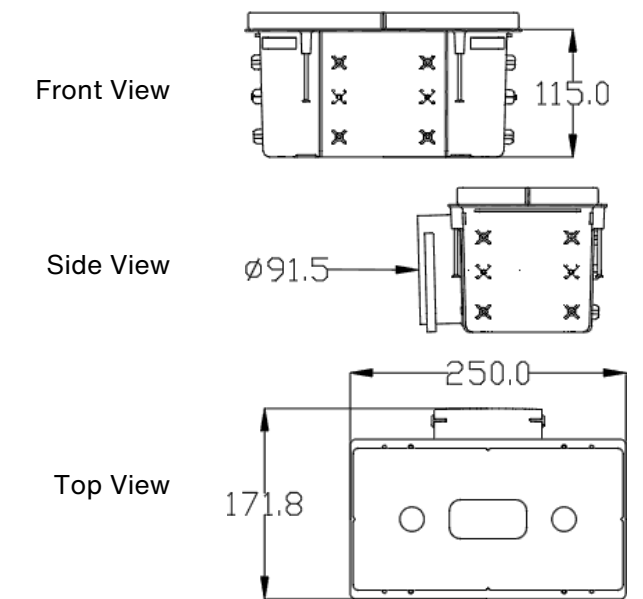
Rectangular frontal and lateral sleeve entry grille housings. The cleanable rectangular CLD grille housing is suitable for installation in all types of wall/floor/ceiling depending on the CLD height and comes complete with locking slides. The rectangular decorative grilles (300 x 200 mm and 260 x 160 mm) can be surface or flush-mounted dependent on preference. A Zehnder ComfoFresh filter can be used to remove particulates.

#### Technical Specification

Height	115 mm
Width	250 mm
Depth	171.8 mm
Weight	<0.8 kg
Material	High-density polyethylene (HDPE)



#### Dimensions



■ For use with CLD decorative grilles

### Grille housing CLD-P 90 lateral sleeve, height 140 mm, connects 1 x $\varnothing$ 90 mm Zehnder ComfoTube

Article number: 990 320 852

#### Description

##### CLD Grille housing:

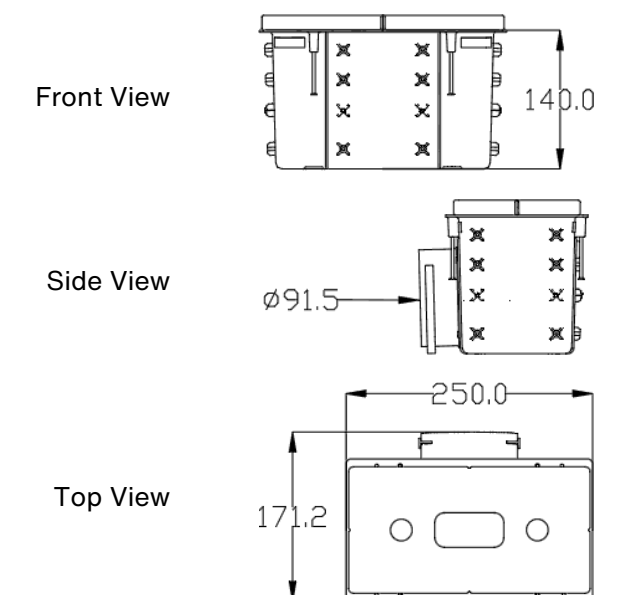
Rectangular frontal and lateral sleeve entry grille housings. The cleanable rectangular CLD grille housing is suitable for installation in all types of wall/floor/ceiling depending on the CLD height and comes complete with locking slides. The rectangular decorative grilles (300 x 200 mm and 260 x 160 mm) can be surface or flush-mounted dependent on preference. A Zehnder ComfoFresh filter can be used to remove particulates.

#### Technical Specification

Height	140 mm
Width	250 mm
Depth	171.2 mm
Weight	<0.8 kg
Material	High-density polyethylene (HDPE)



#### Dimensions



■ For use with CLD decorative grilles

### Grille housing TVA-P 90 connects 1 x $\varnothing$ 125 mm valve to 2 x $\varnothing$ 90 mm Zehnder ComfoTube, L300 mm

Article number: 990 320 725

#### Description

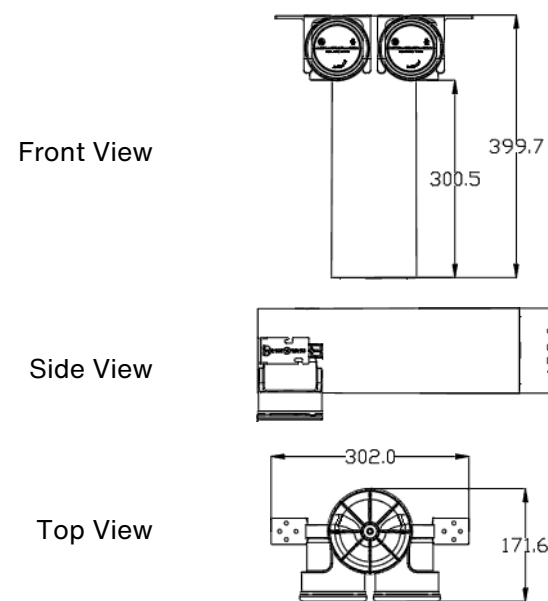
TVA Grille housing Circular grille housing. The cleanable circular TVA grille housing is suitable for installation in all types of wall/ceiling depending on the height and comes complete with locking slides. The square (160 x 160 mm) and circular decorative grilles can be used in addition to any standard  $\varnothing$  125 mm valve. A Zehnder ComfoFresh filter can be used to remove particulates.

#### Technical Specification

Height	399.7 mm
Spigot length	300.5 mm
Width	302 mm
Depth	~170 mm
Weight	0.716 kg
Material	High-density polyethylene (HDPE)



#### Dimensions



■ For use with TVA decorative grilles,  $\varnothing$  125 mm supply/extract grilles and ComfoValve Luna

### Grille housing TVA-P 90 connects 1 x $\varnothing$ 125 mm valve to 1 x $\varnothing$ 90 mm Zehnder ComfoTube, L64 mm

Article number: 990 326 122

#### Description

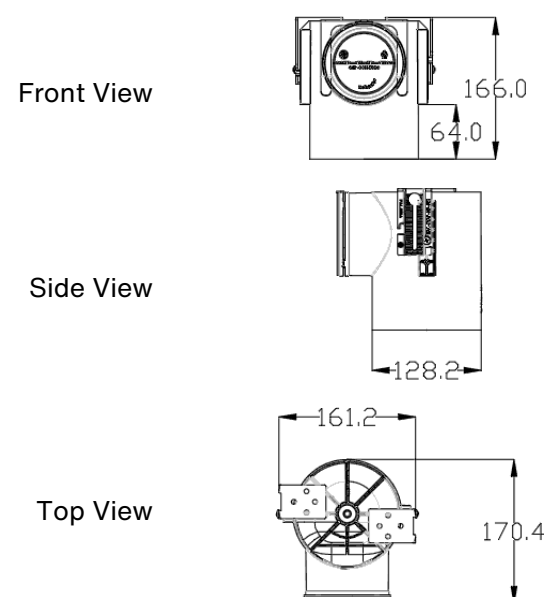
TVA Grille housing Circular grille housing. The cleanable circular TVA grille housing is suitable for installation in all types of wall/ceiling depending on the height and comes complete with locking slides. The square (160 x 160 mm) and circular decorative grilles can be used in addition to any standard  $\varnothing$  125 mm valve. A Zehnder ComfoFresh filter can be used to remove particulates.

#### Technical Specification

Height	166 mm
Spigot length	64 mm
Width	161.2 mm
Depth	~170 mm
Weight	<0.5 kg
Material	High-density polyethylene (HDPE)



#### Dimensions



■ For use with TVA decorative grilles,  $\varnothing$  125 mm supply/extract grilles and ComfoValve Luna

### Grille housing TVA-P 90 connects 1 x $\varnothing$ 125 mm valve to 1 x $\varnothing$ 90 mm Zehnder ComfoTube, L300 mm

Article number: 990 326 126

#### Description

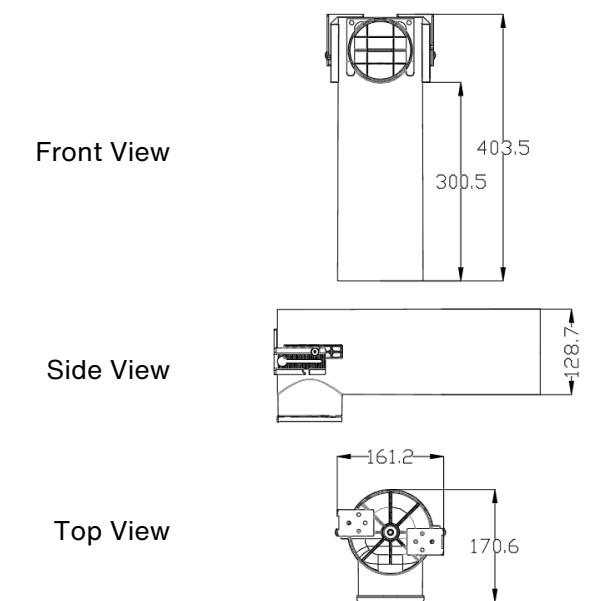
TVA Grille housing Circular grille housing. The cleanable circular TVA grille housing is suitable for installation in all types of wall/ceiling depending on the height and comes complete with locking slides. The square (160 x 160 mm) and circular decorative grilles can be used in addition to any standard  $\varnothing$  125 mm valve. A Zehnder ComfoFresh filter can be used to remove particulates.

#### Technical Specification

Height	403.5 mm
Spigot length	300.5 mm
Width	161.2 mm
Depth	~170 mm
Weight	<0.5 kg
Material	High-density polyethylene (HDPE)



#### Dimensions



■ For use with TVA decorative grilles,  $\varnothing$  125 mm supply/extract grilles and ComfoValve Luna

### Grille housing TVA-P 90 connects 1 x $\varnothing$ 125mm valve to 1 x $\varnothing$ 90mm Zehnder ComfoTube, straight adaptor, L160mm

Article number: 990 326 136

#### Description

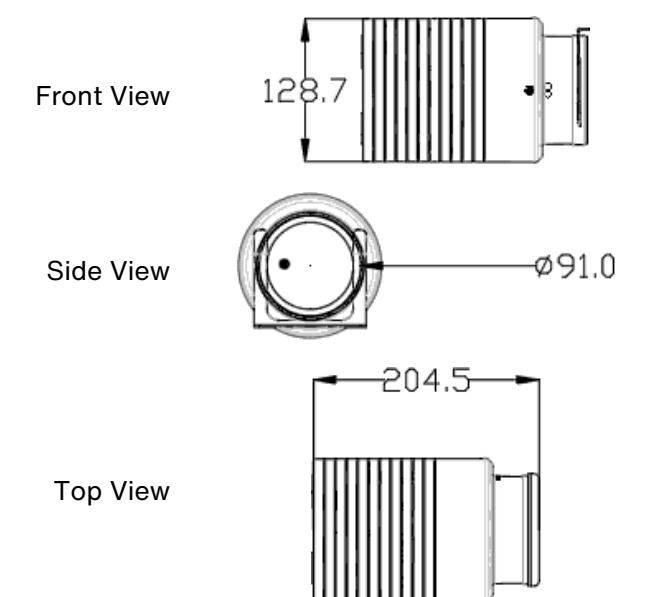
TVA Grille housing Circular grille housing. The cleanable circular TVA grille housing is suitable for installation in all types of wall/ceiling depending on the height and comes complete with locking slides. The square (160 x 160 mm) and circular decorative grilles can be used in addition to any standard  $\varnothing$  125 mm valve. A Zehnder ComfoFresh filter can be used to remove particulates.

#### Technical Specification

Length	204.5 mm
Diameter	90-125 mm
Weight	0.27 kg
Material	High-density polyethylene (HDPE)



#### Dimensions



■ For use with TVA decorative grilles,  $\varnothing$  125 mm supply/extract grilles and ComfoValve Luna

**Grille housing TVA-P 90, connects 1 x  $\varnothing$  100mm valve to 1 x  $\varnothing$  90mm Zehnder ComfoTube, L64mm**

Article number: 990 326 140

#### Description

TVA Grille housing Circular grille housing. The cleanable circular TVA grille housing is suitable for installation in all types of wall/ceiling depending on the height and comes complete with locking slides. Any standard  $\varnothing$  100 mm valve can be used. A Zehnder ComfoFresh filter can be used to remove particulates.

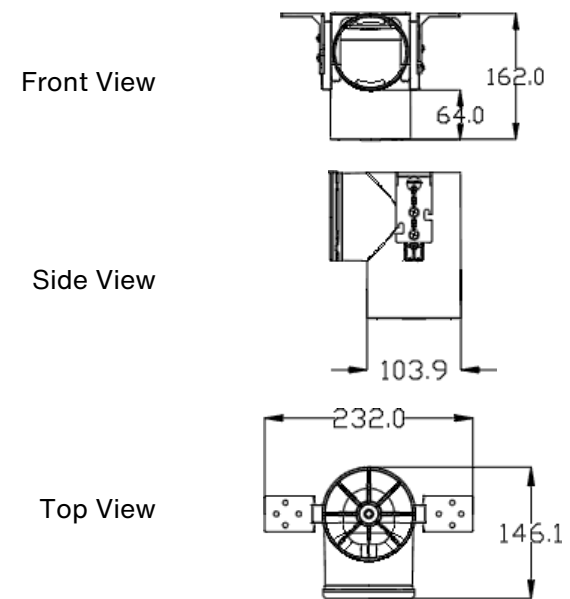
#### Technical Specification

Height	162 mm
Spigot length	64 mm
Width	232 mm
Depth	~146 mm
Weight	0.5 kg
Material	High-density polyethylene (HDPE)

■ For use with  $\varnothing$  100 mm supply/extract grilles



#### Dimensions



**Rectangular grille housing CSB-P 400 connects 1 x Lamina/Bilamina/ComfoGrid 400 to 1 x  $\varnothing$  90 mm, 2 x  $\varnothing$  75 mm Zehnder ComfoTube**

Article number: 990 321 745

#### Description

Lamina/Bilamina/ComfoGrid Linea 400 slot diffuser housing Rectangular lateral sleeve entry grille housing. The cleanable rectangular slot diffuser housing is suitable for installation in all types of wall/ceiling, including within concrete, depending on the height, and comes complete with locking slides and end caps. For use with [988 321 646](#) fixing bracket for mounting within wall/ceiling void. The rectangular lamina / bilamina slot diffuser can be used when used with the 20/40 mm extension pins (990 320 687 / 990 320 688 / 990 320 699) and offer adjustable directional air supply. Can be used with the [990 322 010](#) 90 mm to 75 mm reducer to convert to a 3 port 75 mm housing. The ComfoGrid Linea 400 range of slot diffusers can also be used without the need for the extension pins.

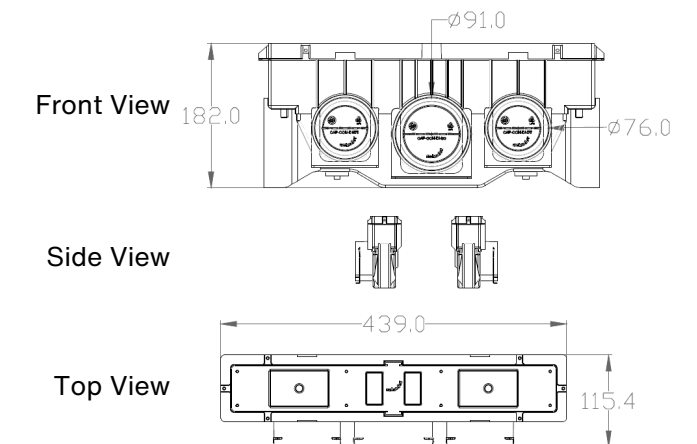
#### Technical Specification

Height	182 mm
Width	439 mm
Depth	115.4 mm
Weight	1.05 kg
Material	High-density polyethylene (HDPE)

■ For use with Lamina/Bilamina/ComfoGrid Linea 400 slot diffusers



#### Dimensions



**Rectangular grille housing CSB-P 600 connects 1 x Lamina/Bilamina/ComfoGrid 600 to 1 x  $\varnothing$  110 mm, 2 x  $\varnothing$  90 mm Zehnder ComfoTube**

Article number: 990 321 746

**Description**

Lamina/Bilamina/ComfoGrid Linea 600 slot diffuser housing Rectangular lateral sleeve entry grille housing. The cleanable rectangular slot diffuser housing is suitable for installation in all types of wall/ceiling, including within concrete, depending on the height, and comes complete with locking slides and end caps. For use with [988 321 646](#) fixing bracket for mounting within wall/ceiling void. The rectangular lamina / bilamina slot diffuser can be used when used with the 20/40 mm extension pins (990 320 687 / 990 320 688 / 990 320 699) and offer adjustable directional air supply. Can be used with the 90 mm to 75 mm reducer ([990 322 010](#)) to convert to a 2 port 75 mm housing. The ComfoGrid Linea 600 range of slot diffusers can also be used without the need for the extension pins.

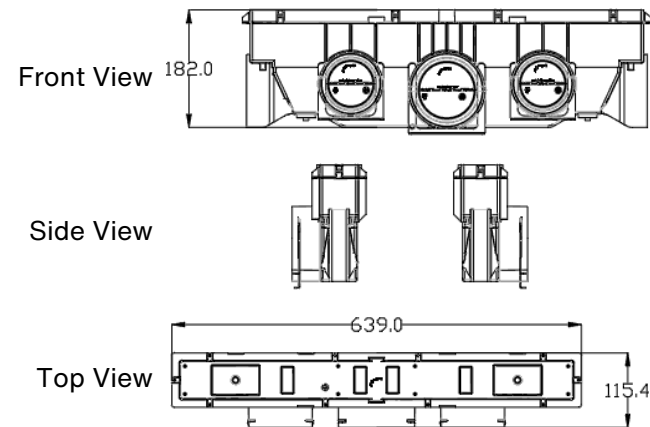
**Technical Specification**

Height	182 mm
Width	639 mm
Depth	115.4 mm
Weight	1.12 kg
Material	High-density polyethylene (HDPE)

■ For use with Lamina/Bilamina/ComfoGrid Linea 600 slot diffusers



**Dimensions**



**Renoventil housing, for  $\varnothing$  90 mm, length 400 mm**

Article number: 990 320 062

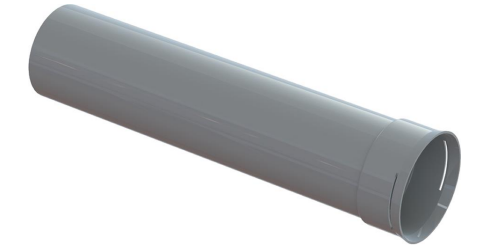
**Description**

Renoventil Grille housing Circular grille housing. The renoventil housing is perfect for refurbishments since the renoventil supply and extract grilles can be located close to the ceiling. The renoventil grille housing comes complete with O-ring and locking slide.

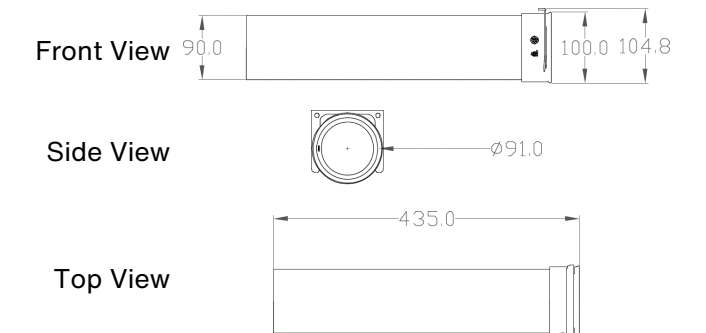
**Technical Specification**

Length	435 mm
Diameter	90-100 mm
Weight	0.28 kg
Material	High-density polyethylene (HDPE)

■ For use with Renoventil supply/extract grilles



**Dimensions**



**Zehnder ComfoTube  $\varnothing$  90 mm, adjustable airflow regulator, 30 mm length**

Article number: 988 320 031

**Description**

**Airflow regulator:**

Zehnder ComfoTube adjustable airflow regulator. The airflow regulator has 5 different restriction settings to reduce the air volume silently. The airflow regulator can be used at the manifold box or at the grille housing by inserting it into the ComfoTube ductwork.

**Technical Specification**

Length	30 mm
Diameter	74 mm
Weight	<0.06 kg
Material	Polypropylene





### Zehnder ComfoTube ø 90 mm, adjustable airflow regulator, 75 mm length

Article number: 990 320 027

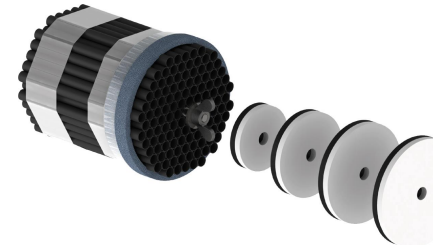
#### Description

##### Airflow regulator:

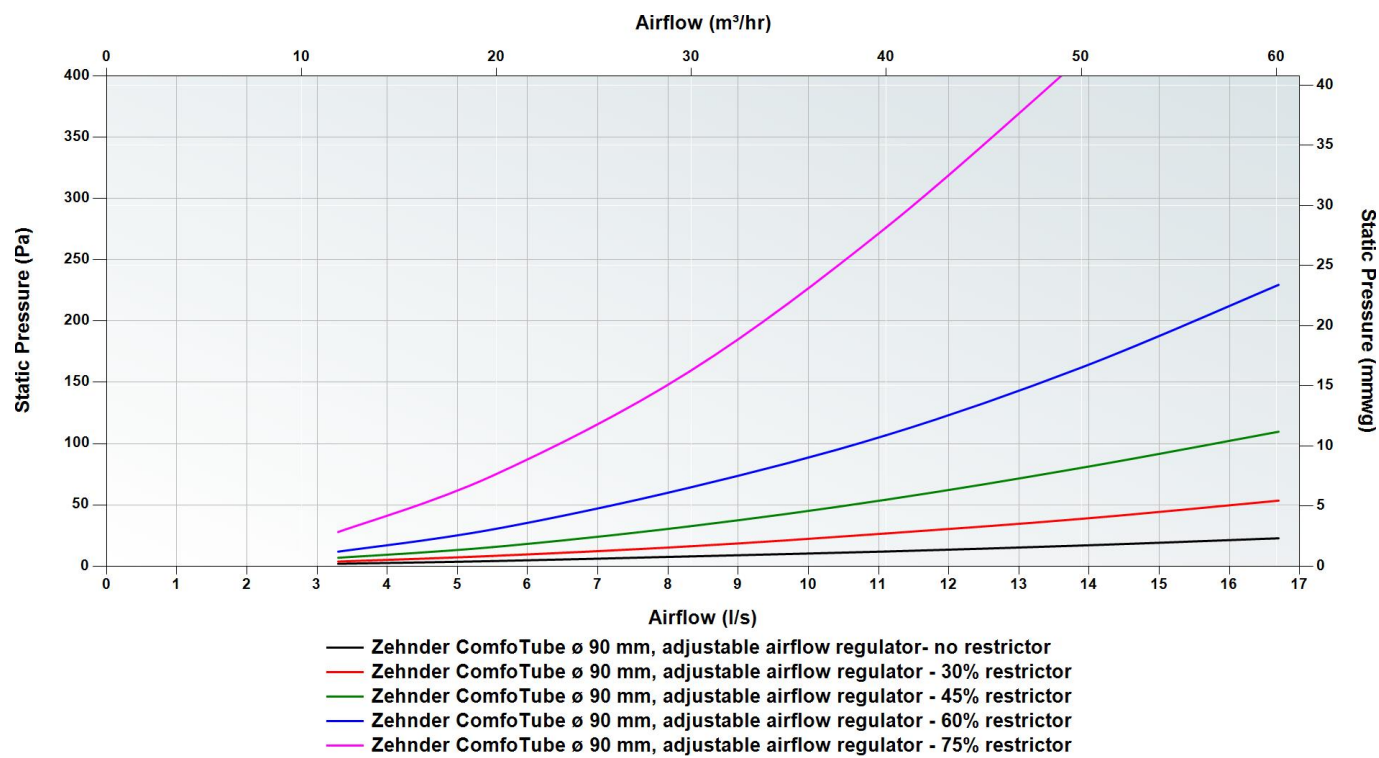
Zehnder ComfoTube adjustable airflow regulator. The airflow regulator has 5 different restriction settings to reduce the air volume silently. The airflow regulator can be used at the manifold box or at the grille housing by inserting it into the ComfoTube ductwork.

#### Technical Specification

Length	75 mm
Diameter	74 mm
Weight	<0.06 kg
Material	Polypropylene



### Pressure Curve



### Filter for ø 100 mm extract air valve, ISO Coarse (G3), 10 Pieces

Article number: 990 320 031

#### Description

##### Grille housing filter:

Zehnder ComfoFresh filter for ø 100 mm TVA grille housing. The filter is perfect to remove particles before they enter the ductwork and is quick and easy to install without interfering with the installed parts.

#### Technical Specification

Length	165 mm
Diameter	100 mm
Height	9 mm
Filter grade	ISO Coarse (G3)
Weight	<0.006 kg each
Material	Polyester

■ For use with ø 100 mm supply/extract grilles



### Filter for ø 125 mm extract air valve, ISO Coarse (G3), 10 Pieces

Article number: 990 320 032

#### Description

##### Grille housing filter:

Zehnder ComfoFresh filter for ø 125 mm TVA grille housing. The filter is perfect to remove particles before they enter the ductwork and is quick and easy to install without interfering with the installed parts.

#### Technical Specification

Length	165 mm
Diameter	125 mm
Height	9 mm
Filter grade	ISO Coarse (G3)
Weight	<0.018 kg each
Material	Polyester

■ For use with Square or circular decorative grilles, ø 125 mm supply/extract grilles and ComfoValve Luna valves



### Filter for CLD housing, ISO Coarse (G3), 10 Pieces

Article number: 990 320 573

#### Description

##### Grille housing filter:

Zehnder ComfoFresh filter for ø 125 mm TVA and CLD grille housing. The filter is perfect to remove particles before they enter the ductwork and is quick and easy to install without interfering with the installed parts.

#### Technical Specification

Height	9 mm
Width	113 mm
Depth	174 mm
Filter grade	ISO Coarse (G3)
Weight	<0.018 kg each
Material	Polyester



■ For use with Rectangular decorative grilles for CLD 260 x 160 mm and 300 x 200 mm

### Filter for rectangular grille housing CSB-P 600, ISO Coarse (G3), 10 Pieces

Article number: 990 321 769

#### Description

##### Grille housing filter:

Zehnder ComfoFresh filter for CSB-P grille housing. The filter is perfect to remove particles before they enter the ductwork and is quick and easy to install without interfering with the installed parts.

#### Technical Specification

Height	32 mm
Width	542 mm
Depth	55 mm
Filter grade	ISO Coarse (G3)
Weight	<0.052 kg each
Material	Polyester



■ For use with ComfoGrid Linea 600 slot diffusers

### Filter for rectangular grille housing CSB-P 400, ISO Coarse (G3), 10 Pieces

Article number: 990 321 768

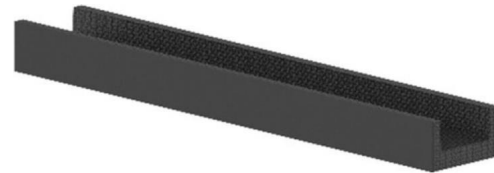
#### Description

##### Grille housing filter:

Zehnder ComfoFresh filter for CSB-P grille housing. The filter is perfect to remove particles before they enter the ductwork and is quick and easy to install without interfering with the installed parts.

#### Technical Specification

Height	32 mm
Width	342 mm
Depth	55 mm
Filter grade	ISO Coarse (G3)
Weight	<0.038 kg each
Material	Polyester



■ For use with ComfoGrid Linea 400 slot diffusers

### Zehnder ComfoTube Flat 51 to Zehnder ComfoTube ø 75/90 mm convertor

Article number: 990 322 013

#### Description

##### Converter:

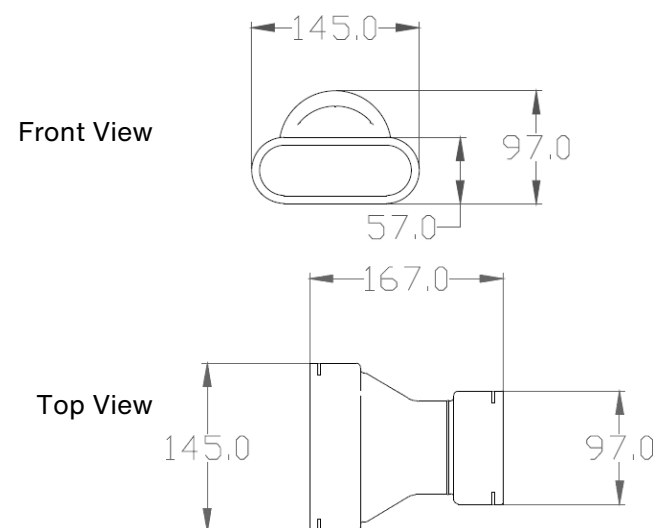
Zehnder ComfoTube Flat 51 to Zehnder ComfoTube ø 75/90 mm convertor. The rigid connector can be used to convert Zehnder ComfoTube Flat 51 to Zehnder ComfoTube ø 75 or Zehnder ComfoTube ø 90 mm and comes complete with locking slides and O-rings.

#### Technical Specification

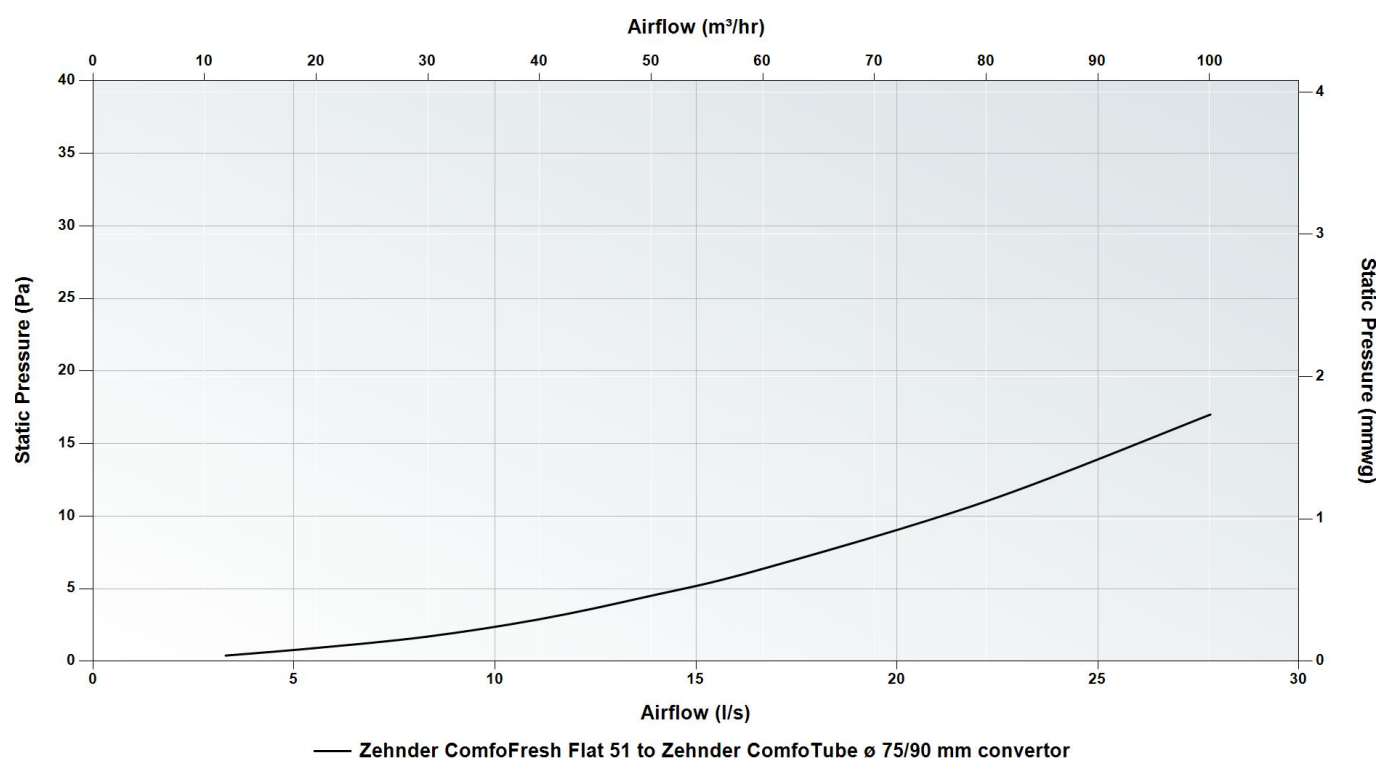
Height	97 mm
Width	167 mm
Depth	145 mm
Weight	0.24 kg
Material	High-density polyethylene (HDPE)



#### Dimensions



#### Pressure Curve



### Zehnder ComfoTube Flat 51 to Zehnder ComfoTube ø 90 mm, 90° convertor

Article number: 990 322 046

#### Description

##### Converter:

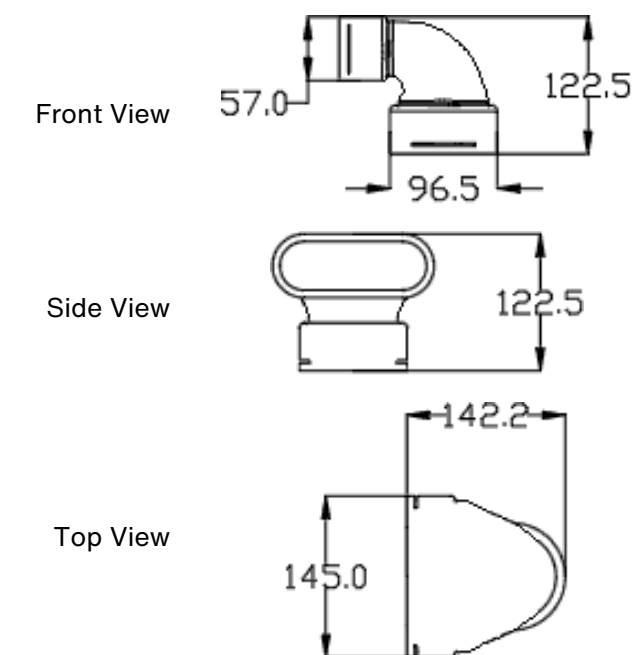
Zehnder ComfoTube Flat 51 to Zehnder ComfoTube ø 90 mm, 90° convertor. The rigid bend can be used to convert Zehnder ComfoTube Flat 51 to Zehnder ComfoTube ø 90 mm and comes complete with locking slides and O-rings.

#### Technical Specification

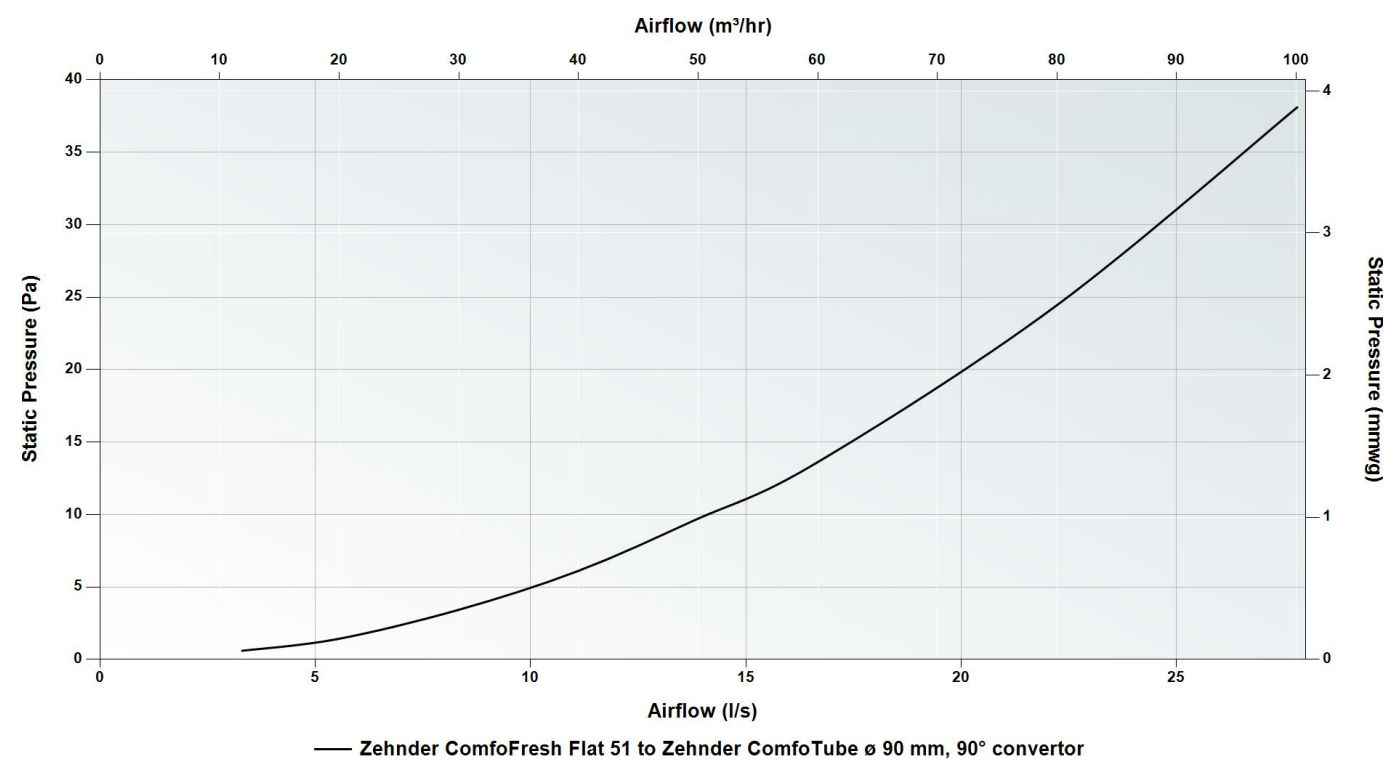
Height	122.5 mm
Width	142.2 mm
Depth	145 mm
Weight	0.2 kg
Material	High-density polyethylene (HDPE)



#### Dimensions



#### Pressure Curve



### Zehnder ComfoTube ø 90 mm, manifold/grille housing spigot reducer, ø 90 mm to ø 75 mm

Article number: 990 322 010

#### Description

##### Converter:

Zehnder ComfoTube ø 90 mm to Zehnder ComfoTube ø 75 mm convertor. The rigid connector can be placed into a Zehnder ComfoTube ø 90 mm manifold or grille housing spigot to convert it to Zehnder ComfoTube ø 75 mm and comes complete with locking slides and O-rings. Ideal for use with the CSB-P to convert 90 mm spigots for use with 75 mm ductwork.

#### Technical Specification

Length	50 mm
Diameter	90.1 mm
Weight	0.12 kg
Material	High-density polyethylene (HDPE)



### Zehnder ComfoTube ø 90 mm, 90° bend

Article number: 990 322 153

#### Description

##### Rigid 90° bend:

Zehnder ComfoTube ø 90 mm, 90° bend. The rigid bend can be placed between two lengths of Zehnder ComfoTube ø 90 mm or directly into the manifold / mounting plate and comes complete with RapidLock® connections to quickly form an air tight and robust seal by simply push-fitting the semi-rigid ductwork.

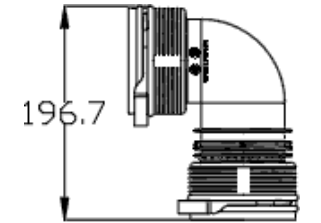
#### Technical Specification

Height	196.7 mm
Width	101.0 mm
Depth	156.2 mm
Weight	0.19 kg
Material	High-density polyethylene (HDPE)

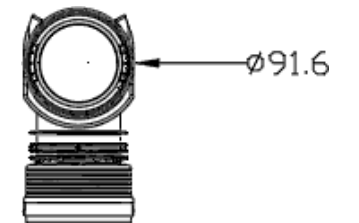


#### Dimensions

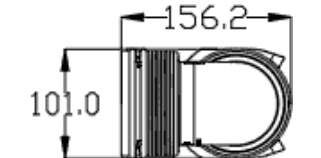
Front View



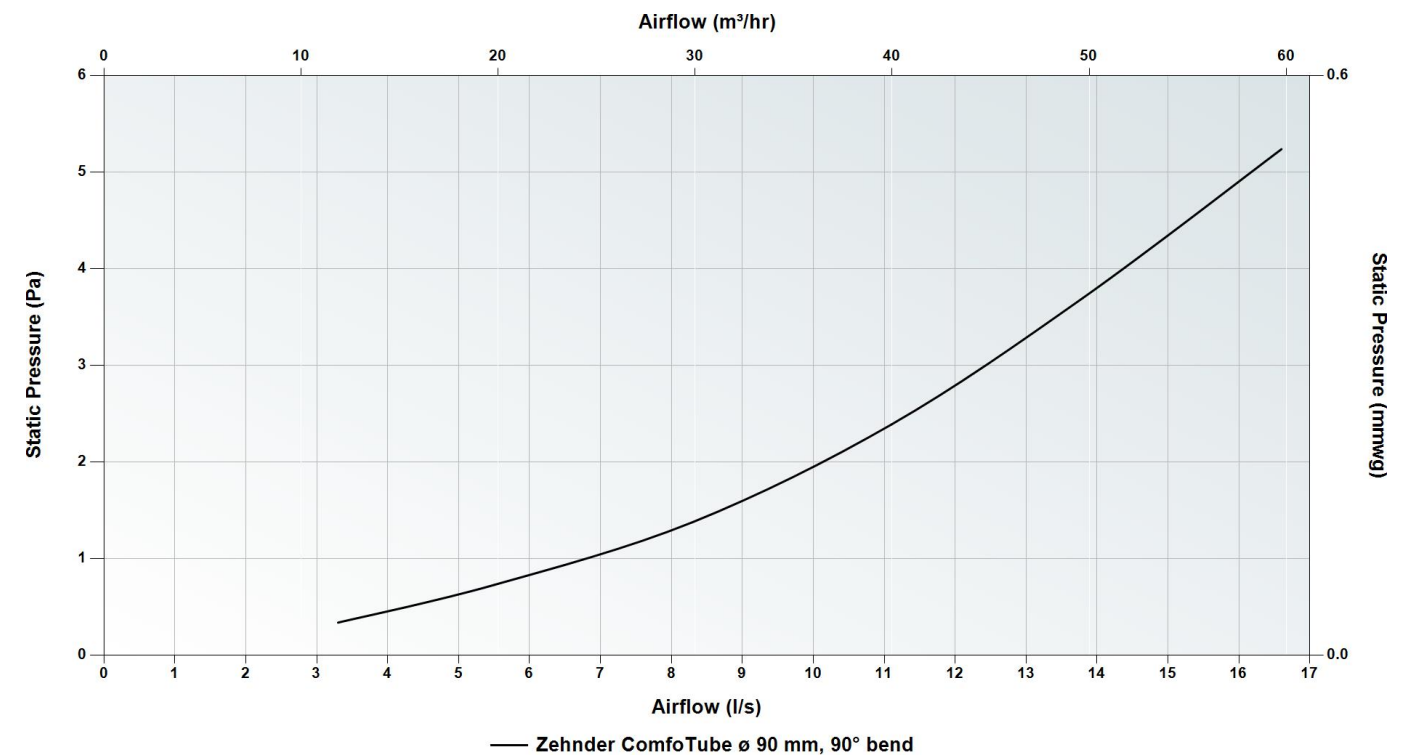
Side View



Top View



#### Pressure Curve





### Zehnder ComfoTube $\varnothing$ 75/90 mm cross-piece

Article number: 990 322 155

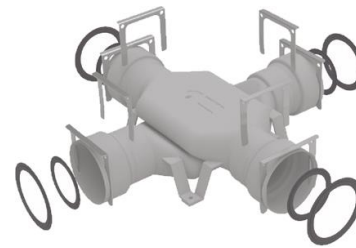
#### Description

##### ComfoTube cross-piece:

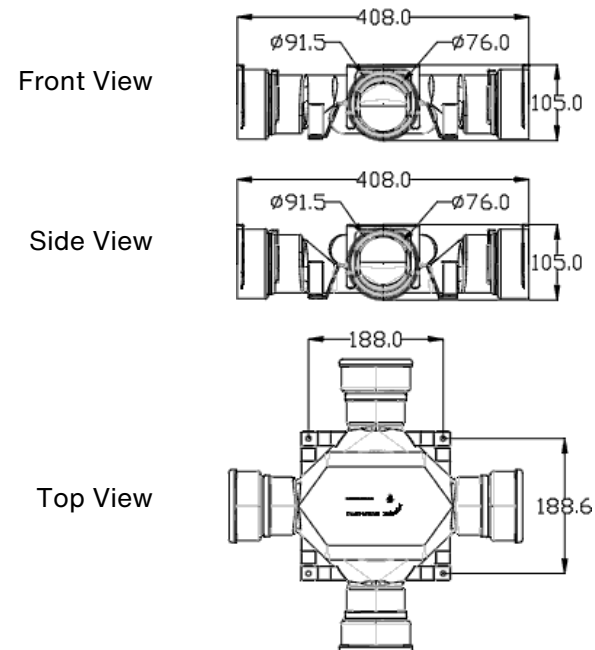
Zehnder ComfoTube  $\varnothing$  75/90 mm cross-piece. The compact cross-piece can be used to cross over two lengths of Zehnder ComfoTube  $\varnothing$  75 mm or Zehnder ComfoTube  $\varnothing$  90 mm in a height restricted space. The cross-piece comes complete with locking slides and O-rings.

#### Technical Specification

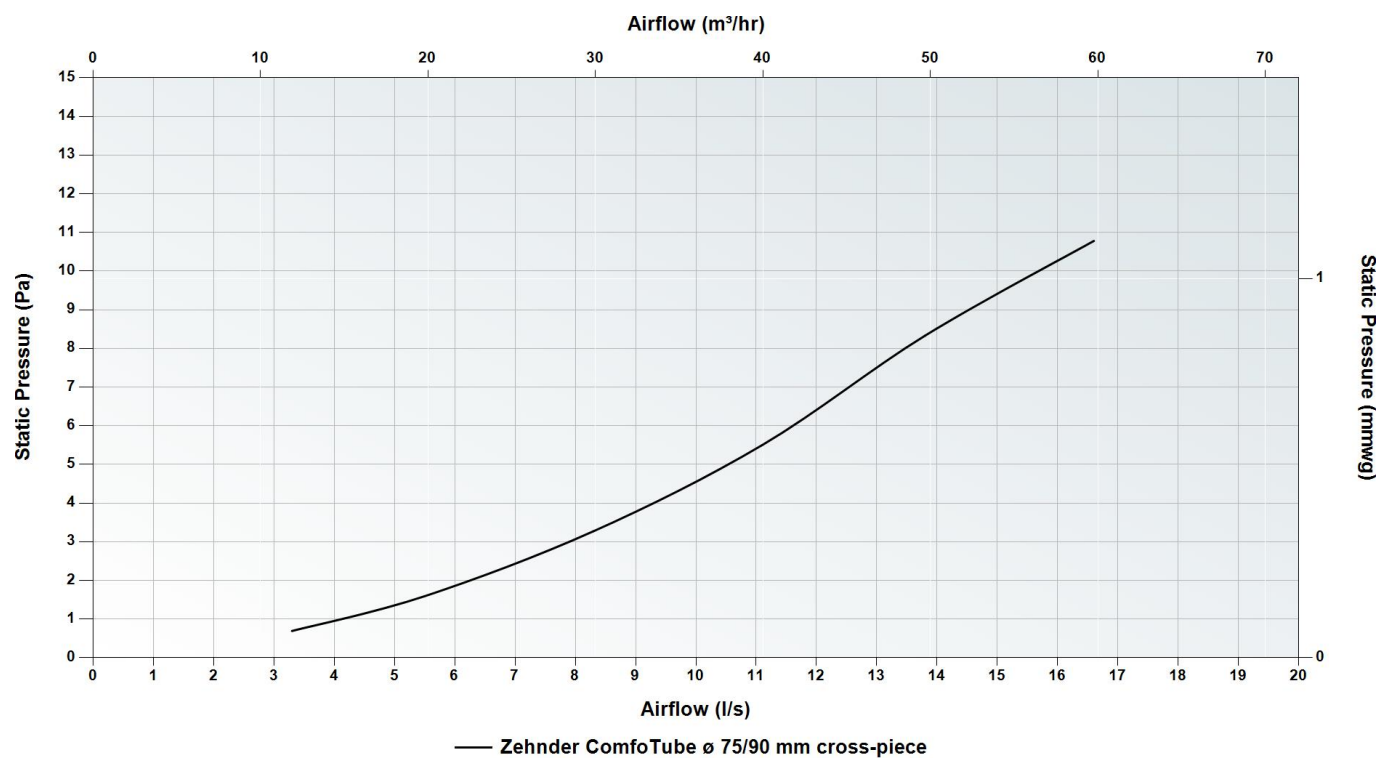
Height	105 mm
Width	408 mm
Depth	408 mm
Weight	1.2 kg
Material	High-density polyethylene (HDPE)



#### Dimensions



#### Pressure Curve



### Zehnder ComfoTube $\varnothing$ 90 mm, locking slides, 10 pieces

Article number: 990 326 025

#### Description

##### Locking slide:

Zehnder ComfoTube  $\varnothing$  90 mm, locking slide. The locking slide is used to secure the Zehnder ComfoTube  $\varnothing$  90 mm ductwork without the need for messy sealants.

#### Technical Specification

Weight	0.042 kg (each)
Material	Galvanised steel

■ For use with Zehnder ComfoTube  $\varnothing$  90 mm ComfoWell / Grille housings



### Grille housing TVA-P mounting set for concrete application

Article number: 990 326 127

#### Description

##### Mounting set:

Grille housing TVA-P 75/90 mounting set for concrete application. Used in conjunction with 64 mm versions of the TVA-P to ensure quick installation to wooden framework prior to concrete being poured.

#### Technical Specification

Weight	0.08 kg
Material	Polymer

■ For use with TVA-P L64 mm versions



### 90° metal bracket for max 2 Zehnder ComfoTube

Article number: 990 327 109

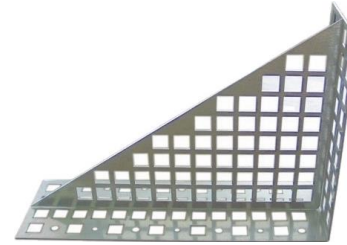
#### Description

##### Metal bracket:

90° metal bracket for max 2 Zehnder ComfoTube. The mounting aid is to enable a 90 degree angle to be formed on Zehnder ComfoTube ø 75 mm or Zehnder ComfoTube ø 90 mm when attached to a horizontal surface.

#### Technical Specification

Height	200 mm
Width	300 mm
Depth	100 mm
Weight	0.57 kg
Material	Galvanised steel



### Fixing bracket for CSB-P 400/600 grille housing, 2 pieces

Article number: 988 321 646

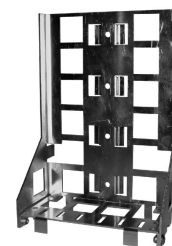
#### Description

##### Fixing bracket:

Zehnder Fixing bracket for CSB-P 400/600 grille housing. The fixing bracket is mounted to either side of the CSB-P to enable secure fixing to the wall or floor and comes complete with screws to fix to the CSB-P. These are not supplied as standard with the CSB-P.

#### Technical Specification

Height	163.5 mm
Width	110.5 mm
Depth	54 mm
Weight	0.08 kg (each)
Material	Galvanised steel



### Zehnder ComfoFix link for ComfoTube ø 90 mm, 10 pieces

Article number: 990 327 201

#### Description

##### ComfoFix mounting bracket:

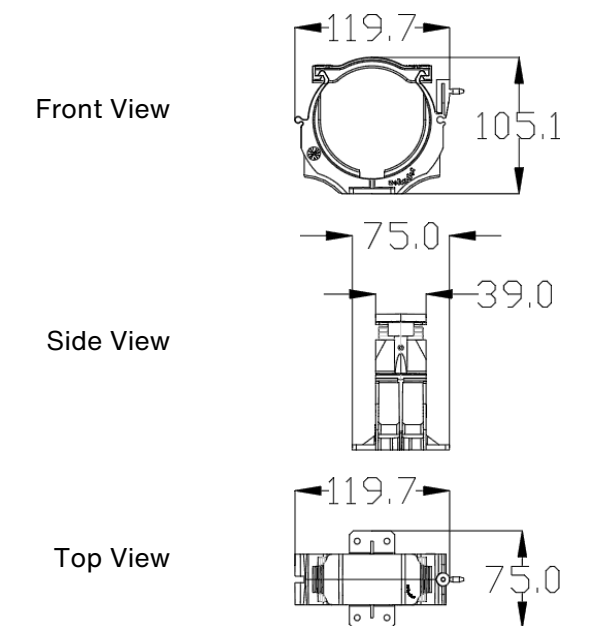
Zehnder ComfoFix link for ComfoTube ø 90 mm. The mounting bracket can be prefixed on the floor/wall/ceiling and allows the Zehnder ComfoTube ø 90 mm to be clicked in place. Several brackets can also be linked on the horizontal or vertical level to fix Zehnder ComfoTube ø 90 mm in place. Over 50% of time can be saved on installation using ComfoFix when compared to installation using perforated metal banding without the risk of damage to the ductwork.

#### Technical Specification

Height	105.1 mm
Width	119.7 mm
Depth	75 mm
Weight	0.09 kg (each)
Material	Glass fiber reinforced polypropylene



#### Dimensions



### Zehnder ComfoTube ø 90 mm, pipe connector

Article number: 990 328 109

#### Description

##### Pipe connector:

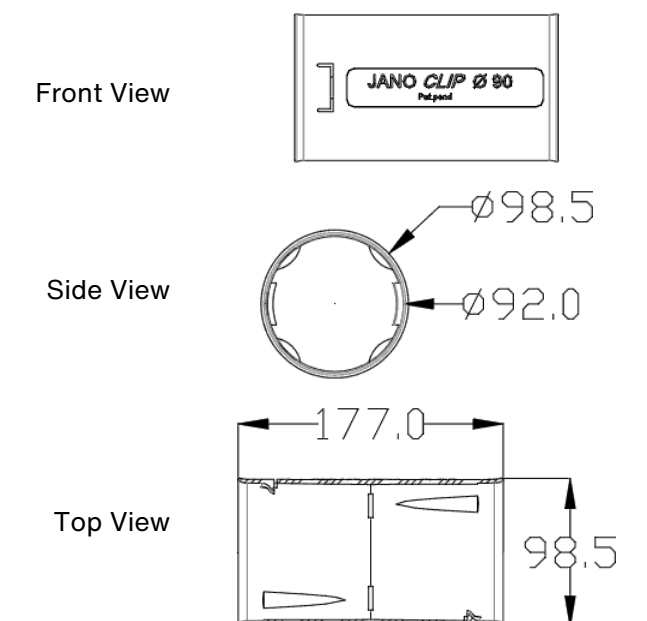
Zehnder ComfoTube ø 90 mm, pipe connector. The connector is used to join two lengths of Zehnder ComfoTube ø 90 mm together to create an airtight and robust seal using O-rings.

#### Technical Specification

Length	177 mm
Diameter ID	92 mm
Diameter OD	98.5 mm
Weight	0.13 kg
Material	Medium-density polyethylene



#### Dimensions



### Zehnder ComfoTube ø 90 mm, end caps, 10 pieces

Article number: 990 328 263

#### Description

##### End caps:

Zehnder ComfoTube end caps. The 90 mm end caps can be placed within their corresponding Zehnder ComfoTube ø 90 mm during the construction phase to prevent dust ingress. The 90 mm end caps can also be placed directly into the 75 mm manifold or mounting plate to seal off any unwanted ports.

#### Technical Specification

Length	53.3 mm
Diameter	82 mm
Weight	0.031 kg (each)
Material	Medium-density polyethylene



### Zehnder ComfoTube ø 90 mm, O-ring seal, 10 pieces

Article number: 990 328 363

#### Description

##### O-ring:

Zehnder ComfoTube O-ring seal. The lubricated O-ring is used to ensure an airtight connection is made with pipe connectors, grille housings, manifold/mounting plates and connecting elements.

#### Technical Specification

Outside diameter	98 mm
Inside diameter	75 mm
Weight	0.009 kg each
Material	EPDM (Ethylene Propylene Diene Monomer)



### Zehnder ComfoTube ø 110 mm, end caps, 2 pieces

Article number: 990 328 264

#### Description

##### End caps:

Zehnder ComfoTube end caps. The 110 mm end caps can be placed within their corresponding Zehnder ComfoTube ø 110 mm during the construction phase to prevent dust ingress. The 110 mm end caps can be placed directly into the 90 mm manifold or mounting plate to seal off any unwanted ports.

#### Technical Specification

Length	55.3 mm
Diameter	102 mm
Weight	0.05 kg (each)
Material	Medium-density polyethylene



### ComfoTool cutter for ø 75/90mm Zehnder ComfoTube

Article number: 990 000 110

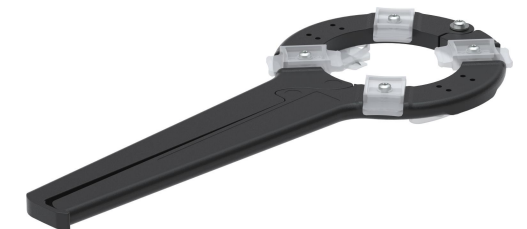
#### Description

##### Cutter:

Zehnder ComfoTool cutter. The cutter comes complete with interchangeable attachments to enable a professional and clean cut every time for both the Zehnder ComfoTube ø 75 mm or Zehnder ComfoTube ø 90 mm ductwork.

#### Technical Specification

Weight	0.1 kg
--------	--------



■ For use with Zehnder ComfoTube ø 75 mm or Zehnder ComfoTube ø 90 mm ductwork

## BIM/CAD Components

If you would like to download the BIM / CAD files for this or any other of our products then please visit our BIM library.

[TO VISIT OUR BIM/CAD LIBRARY](#)

[CLICK HERE](#)

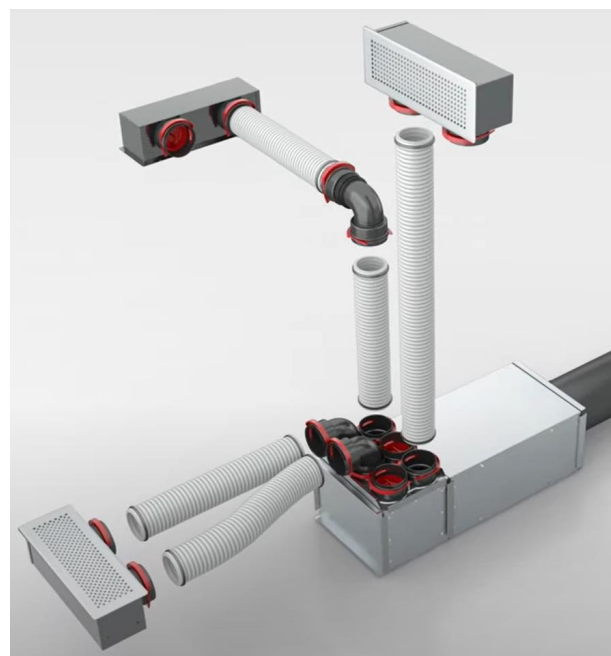
## Installation Instructions

If you would like to download the installation files for this or any other of our products then please visit our download page by clicking the link below.

[TO VISIT OUR DOWNLOAD PAGE](#)

[CLICK HERE](#)

## Our Informational Videos



Watch our video on the future of air distribution installation - Zehnder RapidLock®!

[TO WATCH OUR VIDEO](#)

[CLICK HERE](#)



Watch our video on how to clean the Zehnder ComfoTube ductwork.

[TO WATCH OUR VIDEO](#)

[CLICK HERE](#)

## Consultant Specification

### Specification

The semi-rigid ductwork shall be dual wall constructed of high-quality food-grade polyethylene (PE) with a crush resistant ring stiffness of  $\sim 10.0 \text{ kN/m}^2$ . It shall be suitable for installation into concrete with a fire rating in accordance with [EN 13501-1](#) of E. It shall have an operating temperature range of  $-25$  to  $+40^\circ\text{C}$  and not be designed to exceed flowrates of  $13.8 \text{ l/s}$ .

The ductwork shall have a hygiene certificate and be accredited for use in SAP Appendix Q.

The ductwork shall be manufactured by Zehnder.